



Stella™

LED Canopy Light

80W~150W

FEATURES

- System Light Efficacy 150 LPW
- Easy Installation & Maintenance
- IP66
- Five Years Warranty
- CE, RoHS, CB, ETL, DLC Pending

SPECIFICATIONS

PERFORMANCE

LED Chip	Philips Lumileds
Beam Angle	120°
Color Temperature	4500K-5500K (2500K-6500K Optional)
CRI	≥70
Lumen Maintenance	L70>100,000 hours (Calculated Using TM-21 Calculator)
Input Voltage	100-277 VAC
Power Factor	0.95 minimum

ENVIRONMENTAL

IP Rating	IP66
Operating Temperature	-30 to 55°C (-22 to 131°F)
Storing Temperature	-40 to 80°C (-40 to 167°F)
Humidity	15% to 95% RH

PHYSICAL

Fixture Material	Aluminum Alloy
------------------	----------------

WARRANTY

5 Years

TYPICAL APPLICATIONS

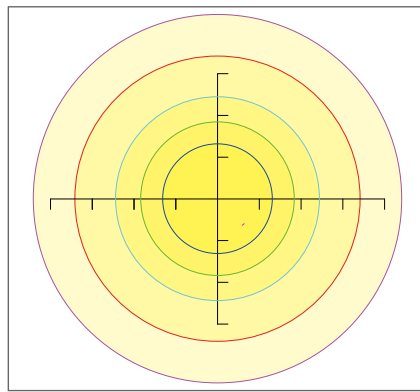
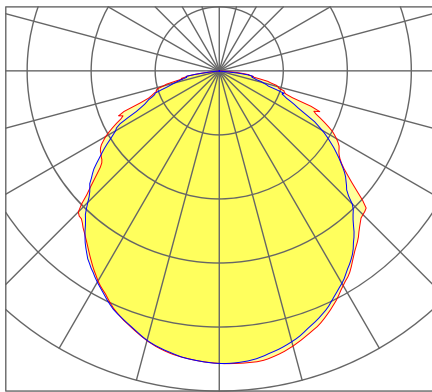
- Gas Station
- Toll Gate
- Warehouse, Workshop

■ Specifications

Picture	Part#	Power	Efficacy(IES)	Total Lumen	N.W	Product Dimensions
	EO-CPSTL-80	80W	150lm/W	12,000lm	2.1kg/4.6lbs	280×280×96.5mm 11×11×3.8in
	EO-CPSTL-100	100W	150lm/W	15,000lm	2.1kg/4.6lbs	280×280×96.5mm 11×11×3.8in
	EO-CPSTL-120	120W	150lm/W	18,000lm	3.1kg/6.8lbs	382×382×117.5mm 15×15×4.6in
	EO-CPSTL-150	150W	150lm/W	22,500lm	3.1kg/6.8lbs	382×382×117.5mm 15×15×4.6in

■ Photometrics

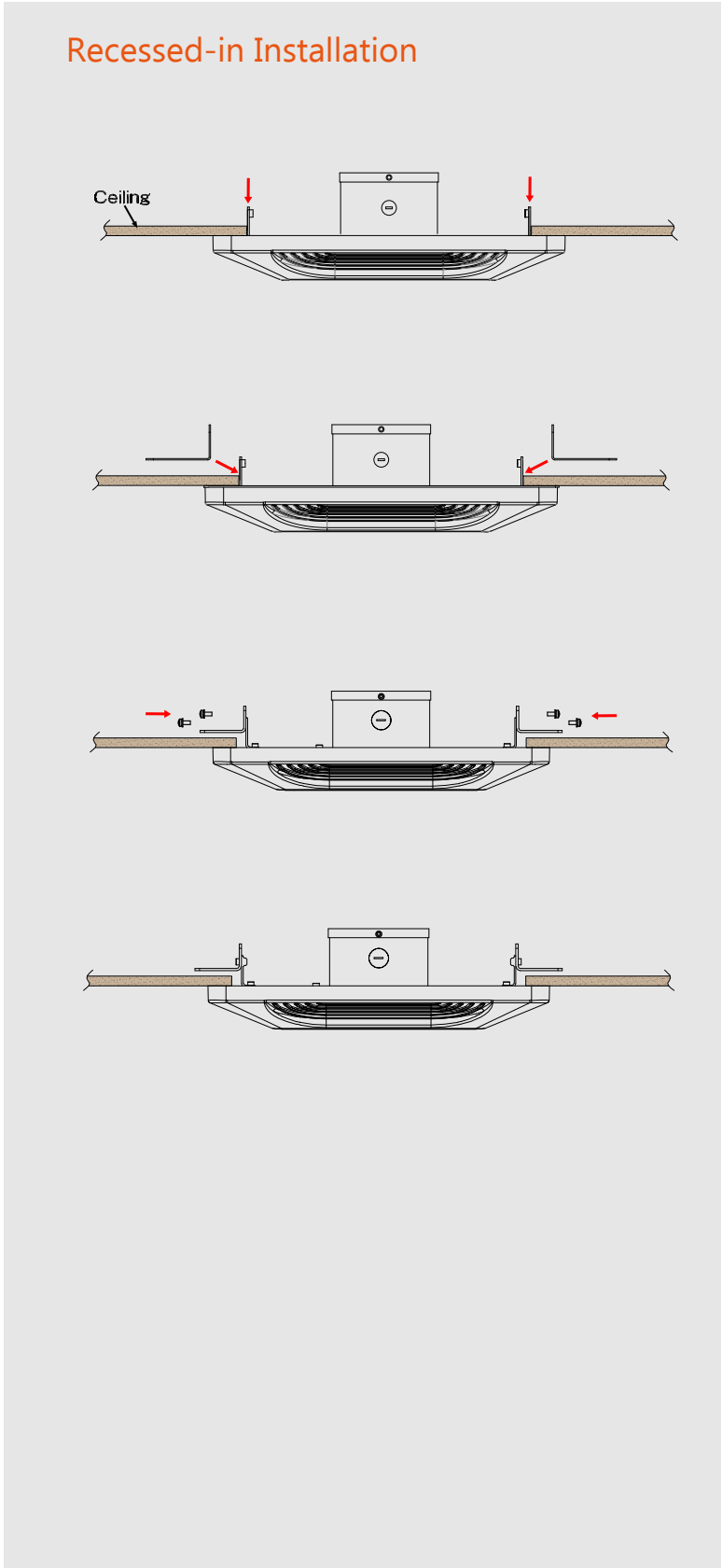
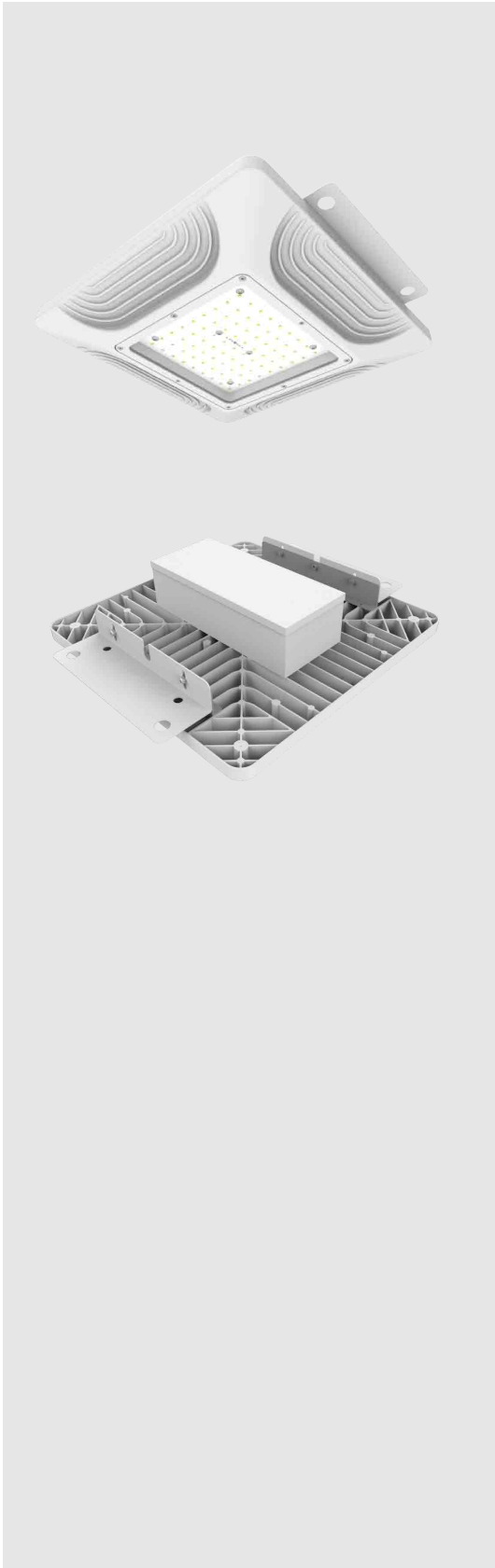
120 DEGREE



— 0.0~180.0
— 90.0~270.0



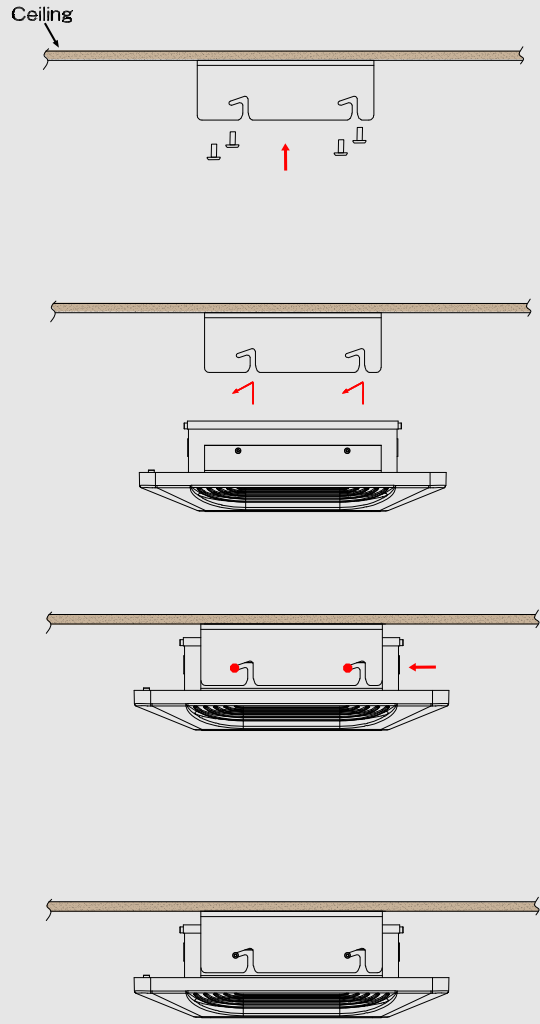
■ Mounting Options



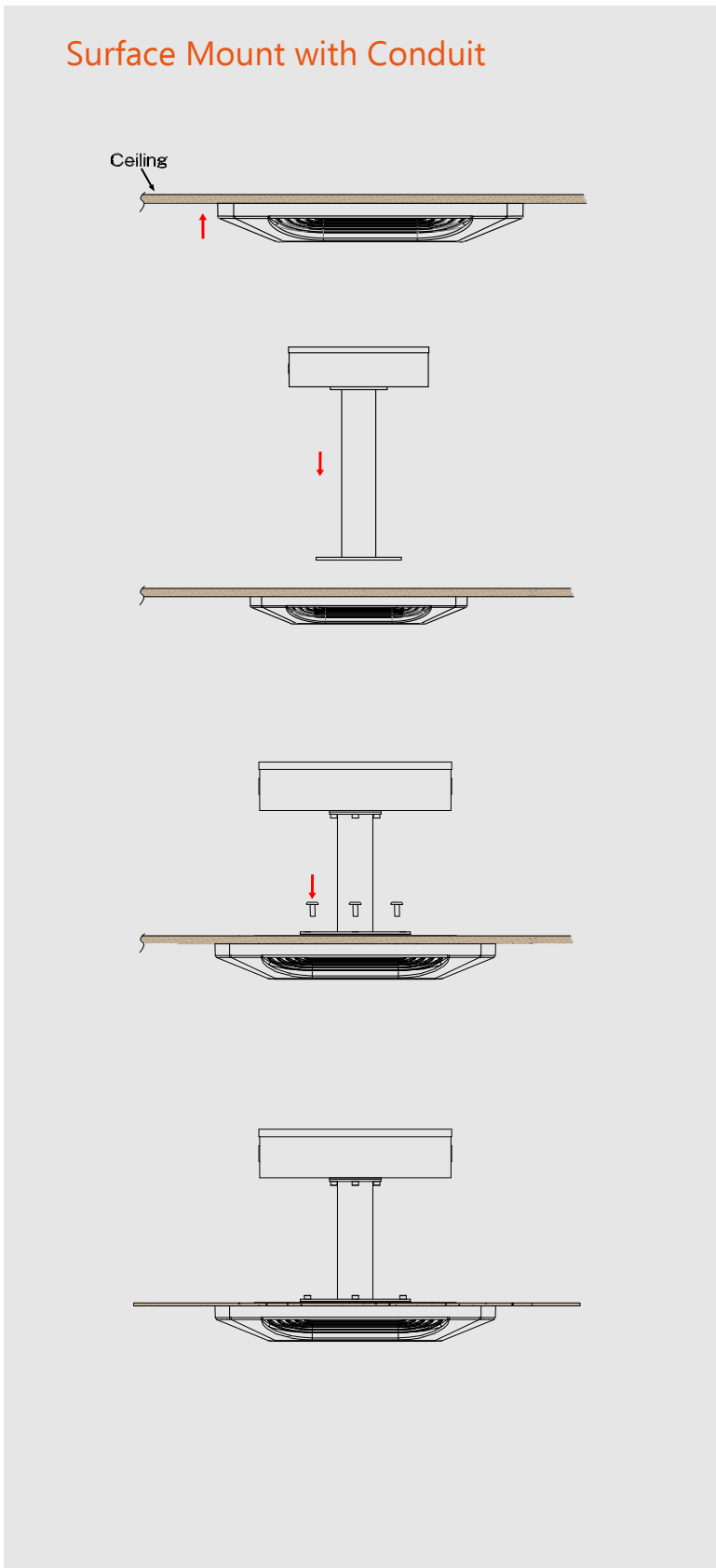
■ Mounting Options



Surface Mount with Bracket



■ Mounting Options



■ Ordering Information (Standard)

